



SEAL TECHNOLOGY
PREMIUM-QUALITY SINCE 1867

Services and special solutions

CUSTOMISED SERVICES RELATING TO
ELASTOMER SEALS



Our lineup – your benefits

From mixing the compounds to dispatching orders, the entire development and production process takes place exclusively at COG. All this enables us to offer you a wide range of services, which can be flexibly tailored to meet your individual needs. Take advantage of our manufacturing expertise and benefit from our numerous additional services for perfectly designed sealing and elastomer solutions.

Right from the development phase, the experts in our applications technology department are available to advise you. For the implementation, you can fall back on our efficient production department. In conjunction with a dedicated team and efficient logistics, we are therefore perfectly positioned to be able to realise even your most demanding projects quickly, reliably and tailored to your needs.



Dealing with challenges constructively and precisely

From idea to customer-specific elastomer solutions

Development and prototyping

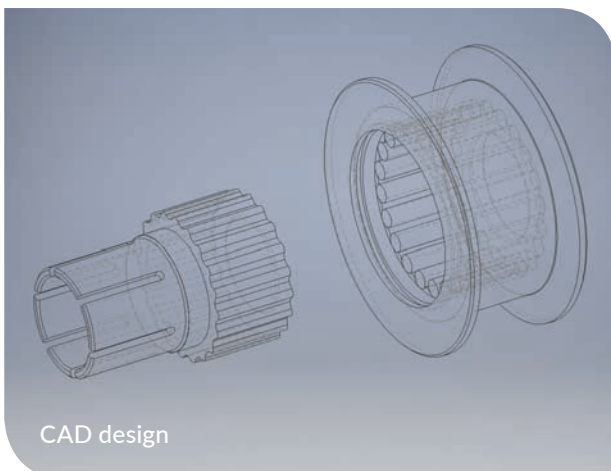
From initial idea through prototype to series production, our experts work with you on your tailor-made solutions. With the aid of state of the art technology, we create the design foundations for innovative system components as well as for highly complex system groups, and develop them further to the production stage.

- Design drafts and model development using CAD design and 3D printers
- Design development
- Production of prototypes

Production of custom solutions

For the realisation of your project, you can completely rely on COG's manufacturing expertise and performance. Even during the compound development stage, we can meet your specific requirements. A committed and experienced team of chemists and technicians helps you find the optimum composition for your material. Our modern CNC machine park and high degree of toolmaking expertise provide you with maximum flexibility when it comes to the use of special tools for production.

- Customer-specific compound development
- In-house toolshop
- CNC machine park
- Option of setting up special working areas and assembly areas





Precise, reliable results

Individual components perfectly combined

Assembly of components and modules

When packing our sealing components, we offer you a wide range of options for efficient processes and optimal results. We are also pleased to assemble supplied parts and bought-in parts for you.

- Manual and automatic assembly
- Serial assembly of individual parts, modules or systems made from the widest variety of materials
- Purchasing management also possible upon request

Packing sets

High quality elastomer seals conveniently supplied to you according to your wishes: The ability to pack sets of seals is a further core element of our range of services. And of course, if required we can also include your own components, such as for example coils or other special components.

- Individual packing options
- Modern automated aids possible for higher quantities



Just ask us!

Special surface treatment, on-site training of your technicians or the development and series production of entire assemblies – simply describe your particular project and benefit from our expertise. COG's experts would be pleased to receive your request, and will work in partnership with you to develop the optimum solution.

Telephone us on: +49 (0)4101 5002-0
or email: info@cog.de



Success built on expertise and reliability

Professional expertise you can depend on

O-RING **AKADEMIE**®

New technologies, improved manufacturing processes and product innovations require constant adaptation of technical processes. This constantly presents design engineers and technicians, but also commercial decision makers, with new challenges in their day to day work. In order to be able to design optimum technical solutions relating to the use of elastomer seals, well-founded market knowledge and user knowledge are essential – especially for sensitive components such as O-rings.

For many years now, COG has been successfully training employees from the widest range of businesses and sectors in the O-Ring-Akademie®. The training sessions focus on questions relevant to actual practice.

Here you and your employees from different divisions of your business have the opportunity to acquire practical knowledge in the complex area of sealing technology.

- Various seminars with varying topics
- Company training available upon request, which we are also pleased to offer in-house at your premises

More at: www.o.ring-akademie.de



The O-Ring-Akademie® as a webinar

As well as conventional seminars, the O-Ring-Akademie® also offers online webinars. These are aimed not just at practised experts, but also technically or commercially orientated people who wish to learn about special topics relating to seal technology in short, compact and expert fashion.



Supplied to the customer fast and easily

Express production for acute bottlenecks



O-rings in a flash

In order to help users facing acute bottlenecks and tricky situations, COG offers an express production service for high quality precision O-rings that are not in stock. Your order is produced in the 'fast lane' of our sophisticated production process and is supplied after just five to seven working days.

A total of 13 different frequently used materials are stocked continuously at COG specifically for the express service. These include EPDM, FKM/FPM, FVMQ, NBR and VMQ compounds. Of course, we can also produce other compounds in our express service, provided that the compounds are in stock. If required, please get in touch with our internal sales team!

- Manufacturing time between 5 and 7 working days
- Continuous stock of a total of 13 compounds
- Only one flat express surcharge per order
- Maximum quantity depends on the size of the O-rings

You can rely on it!

Simple handling

You pay only the normal price for the O-rings, plus a flat rate express surcharge of 250,- €. Minimum item values and order values do not apply to this service.

Deadline guarantee

Should COG not keep to the express delivery deadline, you pay only for the value of the goods.

One order,
one delivery date,
one surcharge:
250,- €

flat rate plus VAT



Strong and versatile add-ons

Special services for elastomer seals

Treatment processes and finishes

If your application makes specific demands on elastomer seals that go beyond the pure material properties, COG offers you countless special treatment options.

- Special surface treatments, such as for example molybdenum coating, graphitisation, Teflon coating, siliconisation or coloured coatings
- Colour-coding of O-rings
- Additional special treatments such as plasma cleaning or washing in deionised water

Testing and inspection options

For maximum certainty in your application, we also offer the opportunity to subject the elastomer seals you already have in use to various tests in our modern laboratory.

- Various technical and physical inspections and test procedures
- Storage and heat ageing tests
- 100% automatic optical dimensional check

Packaging and dispatch

In our state of the art logistics department, we ensure that your orders arrive precisely meeting your specifications.

- Labels according to customer-specific requirements (e.g. barcodes, customer labels in customer's own design)
- Sub-packaging and individual packaging
- Special packaging, such as AMAT-certified packaging film or packaging treated for UHV procedure

Certificates etc

Elastomer seals with the hallmark of quality: According to your requirements, COG can issue national and international certificates, including for example factory certification in accordance with EN 10204-2.2 or manufacturer's certificate DIN M in accordance with 55350.



COG at a glance

- Founded in 1867 in Pinneberg, near Hamburg
- Independent family business employing over 250 staff
- World's largest O-ring warehouse (over 45,000 items kept in stock for immediate delivery)
- State of the art logistics centre for maximum delivery capability
- Quality management to DIN EN ISO 9001
- Environmental management to DIN EN ISO 14001
- Close cooperation with leading manufacturers of raw materials
- COG technical centre for compound development

More
information at
www.COG.de/en
or contact us
directly.

C. Otto Gehrckens GmbH & Co. KG

Seal Technology

Gehrstücken 9 · 25421 Pinneberg · Germany

Tel +49 (0)4101 5002-0 Fax +49 (0)4101 5002-83

Mail info@cog.de

www.COG.de

